



PARTS BREAKDOWN PRESSURE WASHER

MODEL: X-2565HWCOMSP



BEPOWEREQUIPMENT

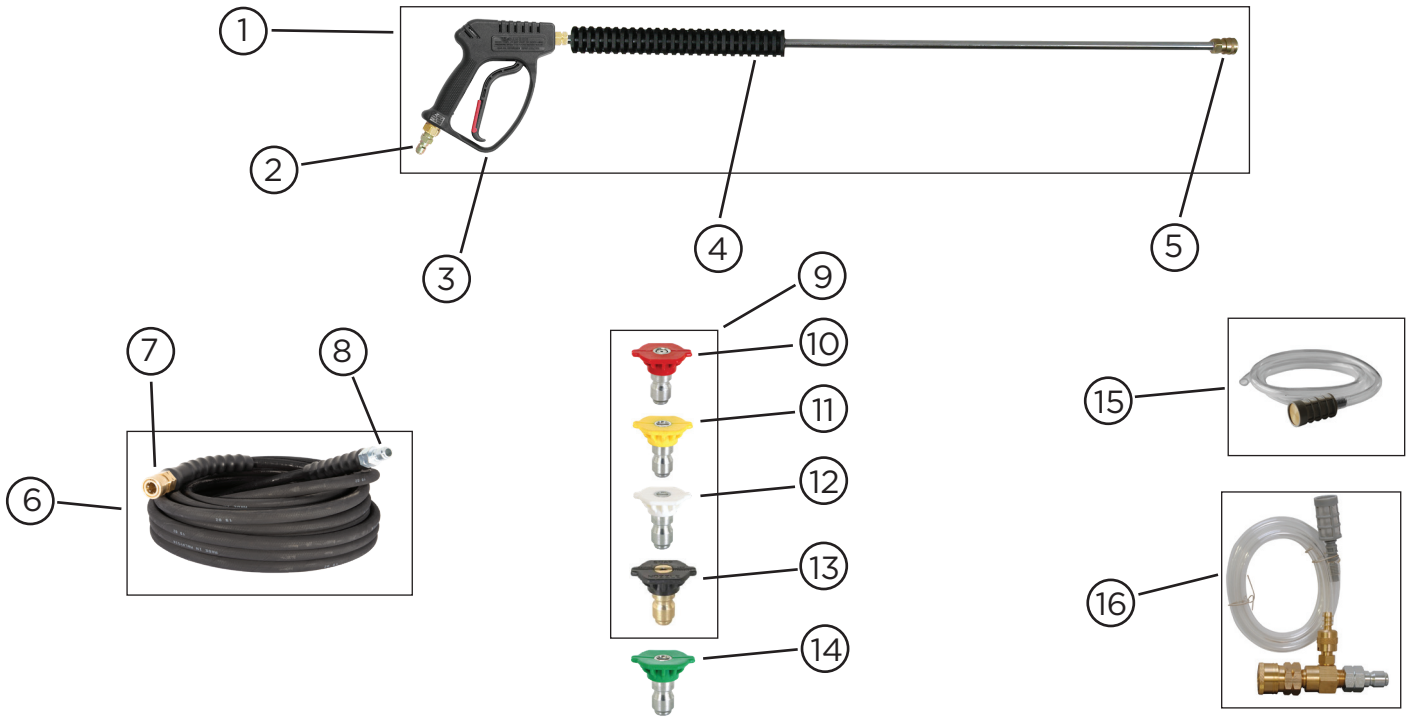
.COM



PARTS BREAKDOWN PRESSURE WASHER

MODEL: X-2565HWCOMSP

ACCESSORIES COMPONENTS



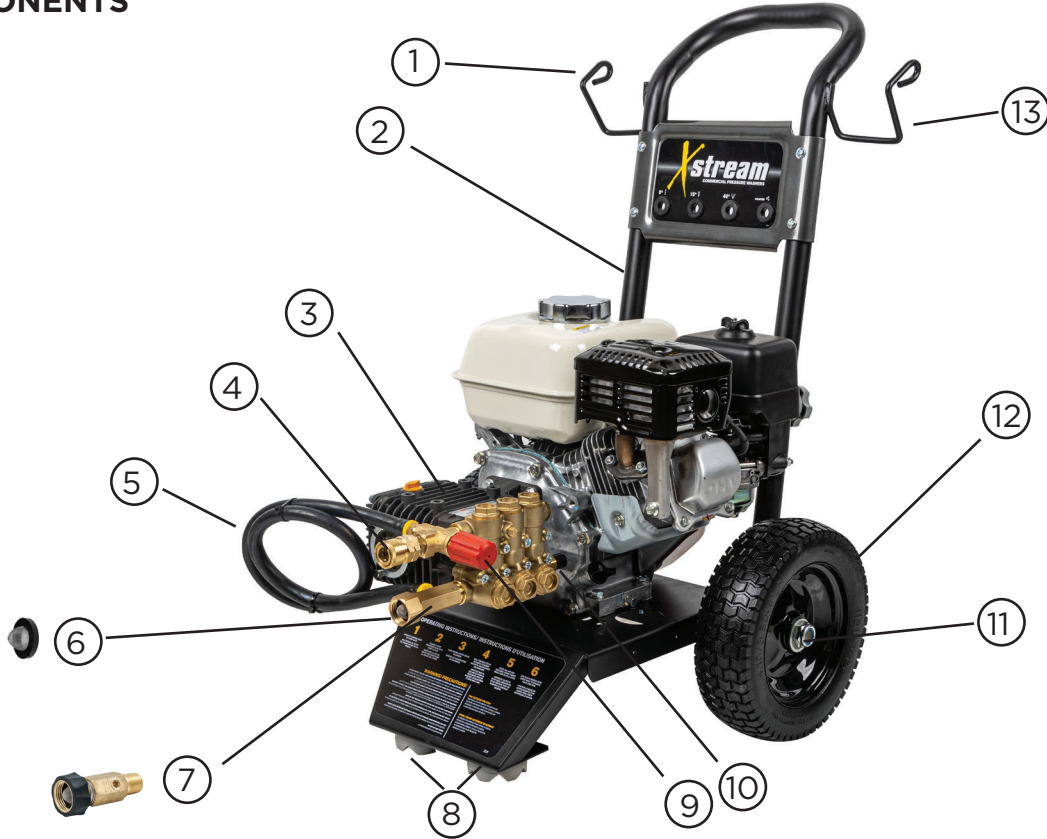
REF #	DESCRIPTION	QTY	BE PART #
1	SPRAY GUN-WAND ASSEMBLY	1	85.205.026
2	SPRAY GUN PLUG	1	85.300.105
3	SPRAY GUN	1	85.202.109
4	SPRAY WAND	1	85.202.026
5	SPRAY GUN 1/4" COUPLER	1	85.300.102
6	50' X 3/8" HOSE ASSEMBLY	1	85.238.153
7	3/8" HOSE COUPLER	1	85.300.103
8	3/8" HOSE PLUG	1	85.300.104
9	4 PIECE SPRAY NOZZLE SET, 035 ORIFICE	1	85.210.035
10	0° RED SPRAY NOZZLE, 035 ORIFICE	1	85.201.035
11	15° YELLOW SPRAY NOZZLE, 035 ORIFICE	1	85.216.035
12	40° WHITE SPRAY NOZZLE, 035 ORIFICE	1	85.241.035
13	BLACK SOAPER NOZZLE	1	85.266.400
14	25° GREEN SPRAY NOZZLE, 035 ORIFICE (OPTIONAL)	1	85.226.035
15	SOAP PICK-UP TUBE WITH FILTER	1	85.400.005
16	SOAP INJECTOR ASSEMBLY	1	85.400.000



PARTS BREAKDOWN PRESSURE WASHER

MODEL: X-2565HWCOMSP

UNIT COMPONENTS



REF #	DESCRIPTION	QTY	BE PART #
1	RIGHT HAND HANGER BRACKET	1	85.601.127R
2	FRAME ASSEMBLY (WHEELS NOT INCLUDED)	1	85.600.077
3	COMPLETE PUMP ASSEMBLY - COMET LWD3025	1	85.149.004
4	3/8" PUMP OUTLET COUPLER	1	85.300.108
5	36" BY-PASS HOSE	1	85.202.078
6	INLET FILTER	1	85.308.120
7	INLET GARDEN HOSE FILTER FITTING	1	85.300.056
8	ANTI-VIBRATION FOOT PADS	2	85.660.009
9	UNLOADER ASSEMBLY	1	85.300.003
10	THERMAL RELIEF VALVE	1	85.300.024
11	WHEEL AXLE NUTS	2	09.000.018
12	10" FLAT FREE WHEEL	2	85.660.055BF
13	LEFT HAND HANGER BRACKET	1	85.601.127L

***CHECK WITH HONDA FOR GX200 ENGINE BREAKDOWN AND PARTS**

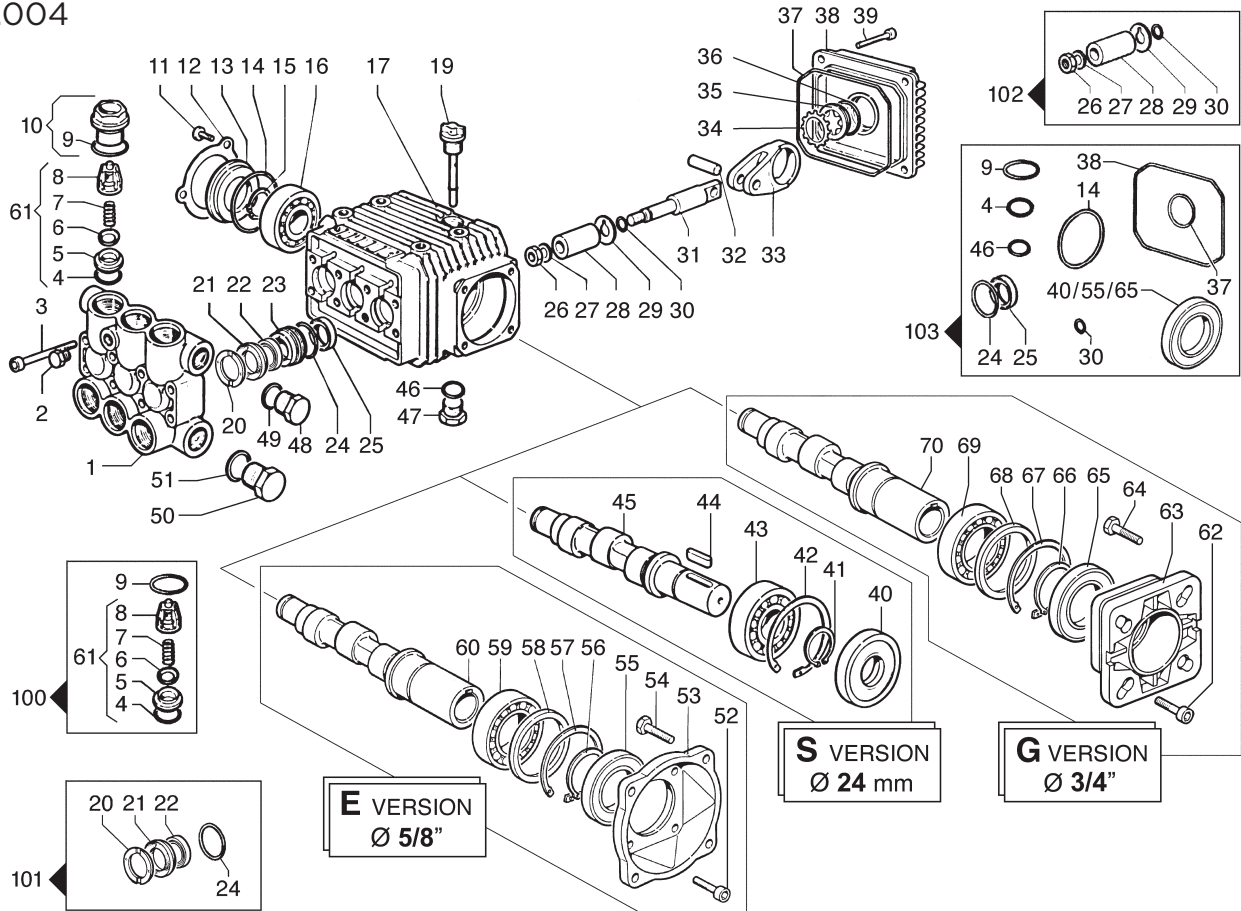


PARTS BREAKDOWN PRESSURE WASHER

MODEL: X-2565HWCOMSP

PUMP BREAKDOWN

85.140.004



N°	Cod.	Descrizione	Description	Note	Q.ty	Model
1	3218 0317	Testata Pompa Ottone	Brass Pump Manifold	Ø15	1	
2	3202 0018	Tappo	Cap	G1/8	1	
3	3609 0108	Vite	Screw	M6x55	8	
4	1210 0046	Guarnizione OR	O-Ring	2,62x17,13	6	
5	3009 0087	Sede Valv. Aspir./Mand.	Suct./Del. Valve Seat		6	
6	3604 0017	Valvola Aspir./Mand.	Suct./Del. Valve		6	
7	1802 0177	Molla Valv. Asp./Mand.	Suct./Del. Valve Spring		6	
8	1205 0025	Gabbia Valv. Asp./Mand.	Suct./Del. Valve Cage		6	
9	1210 0048	Guarnizione OR	O-Ring	2,62x20,24	6	
10	3202 0312	Tappo + OR	Cap + O-Ring		6	
11	3609 0088	Vite	Screw	M5x10	3	
12	1004 0012	Flangia Tenuta	Crankcase Flange		1	
13	0402 0172	Coperchio	Cover		1	
14	1210 0386	Guarnizione OR	O-Ring	3,53x44,04	1	
15	3019 0011	Seeger Esterno	Outer Seeger		1	
16	0438 0066	Cuscinetto a Sfere	Ball Bearing	20x52x15	1	
17	0403 0128	Carter Pompa	Pump Crankcase		1	
19	3200 0051	Asta Livello Olio	Oil Dipstick		1	
20	0009 0196	Anello Pressione	Packing Head Ring	Ø15	3	
21	1241 0065	Guarnizione Tenuta	Packing	Ø15	3	
22	1241 0030	Guarnizione Tenuta	Packing	Ø15	3	
23	0009 0198	Anello Portaguarniz.	Packing Retainer	Ø15	3	
24	1210 0223	Guarnizione OR	O-Ring	1,78x26,7	3	
25	0019 0095	Anello Tenuta	Oil Seal	15x24x5	3	
26	0600 0048	Dado Speciale	Special Bolt		3	
27	2811 0080	Rondella	Washer	8,2x14x1,5	3	

N°	Cod.	Descrizione	Description	Note	Q.ty	Model
28	0202 0020	Bussola Ceramica	Ceramic Bushing	Ø15	3	
29	2812 0038	Rondella	Washer		3	
30	1210 0055	Guarnizione OR	O-Ring	1,78x6,07	3	
31	2409 0044	Pistone Guida	Piston Guides		3	
32	3011 0014	Spinotto	Gudgeon Pin		3	
33	0205 0048	Kit Biella	Con. Rod Assembly		3	
34	3019 0033	Seeger Esterno	Outer Seeger	Ø28	1	
35	3201 0026	Spia Livello Olio	Oil Indicator		1	
36	1210 0333	Guarnizione OR	O-Ring	1,78x23,52	1	
37	1210 0621	Guarnizione OR	O-Ring	3,0x94	1	
38	0402 0142	Coperchio Carter	Crankcase Cover		1	
39	3609 0041	Vite	Screw	M6x25	4	
40	0019 0094	Anello Tenuta	Oil Seal	25x62x10/7	1	
41	3019 0006	Seeger Esterno	Outer Seeger		1	
42	3020 0012	Seeger Interno	Inner Seeger		1	
43	0438 0075	Cuscinetto a Sfere	Ball Bearing	25x62x17	1	
44	1602 0045	Linguetta	Key	8x7x25	1	
45	0001 0286	Albero Passante	Throughshaft	Ø24	1	2015 S
	0001 0332	Albero Passante	Throughshaft	Ø24	1	3020 S
46	1210 0441	Guarnizione OR	O-Ring	2x14	1	
47	3200 0007	Tappo	Plug	3/8 GAS	1	
48	3200 0007	Tappo	Plug	3/8 GAS	1	
49	2811 0084	Rondella	Washer	16,7x22x1,5	1	
50	3202 0015	Tappo	Plug	G1/2	1	
51	2811 0086	Rondella	Washer	21,2x27x1,5	1	
52	3609 0032	Vite	Screw	M6x20	4	



PARTS BREAKDOWN PRESSURE WASHER

MODEL: X-2565HWCOMSP

PUMP BREAKDOWN (CONTINUED)

85.140.004

N°	Cod.	Descrizione	Description	Note	Qty	Model
53	3016 0016	Flangia	Flange	NEMA 56 C	1	
54	3607 0200	Vite Testa Esagonale	Hexagonal Screw	3/8"16 UNCx3/4"	4	
55	0019 0075	Anello Tenuta Olio	Oil Seal	35x62x7	1	
56	3019 0004	Seeger Esterno	Outer Seeger	Ø35	1	
57	3020 0012	Seeger Interno	Inner Seeger	Ø62	1	
58	2812 0064	Rondella Distanziale	Spacer		1	
59	0438 0015	Cuscinetto a Sfere	Ball Bearing	35x62x14	1	
60	0001 0336	Albero Femmina	Hollow Shaft	Ø 5/8"	1	2015 E - 2020 E
	0001 0337	Albero Femmina	Hollow Shaft	Ø 5/8"	1	3020 E
	0001 0532	Albero Femmina	Hollow Shaft	Ø 5/8"	1	3522 E
61	1220 0030	Gruppo Valv. Asp./Mand.	Suct./Del. Valve Ass.y kit		6	
62	3609 0032	Vite	Screw	M6x20	4	
63	3016 0012	Flangia	Flange	SAE J 609 A	1	
64	3607 0199	Vite Testa Esagonale	Hexagonal Screw	5/16"24 UNF3/4"	4	
65	0019 0075	Anello Tenuta Olio	Oil Seal	35x62x7	1	
66	3019 0004	Seeger Esterno	Outer Seeger	Ø35	1	
67	3020 0012	Seeger Interno	Inner Seeger	Ø62	1	
68	2812 0064	Rondella Distanziale	Spacer		1	

N°	Cod.	Descrizione	Description	Note	Qty	Model
69	0438 0015	Cuscinetto a Sfere	Ball Bearing	35x62x14	1	
70	0001 0334	Albero Femmina	Hollow Shaft	Ø 3/4"	1	2020 G
	0001 0406	Albero Femmina	Hollow Shaft	Ø 3/4"	1	2520 G - 2525 G
	0001 0451	Albero Femmina	Hollow Shaft	Ø 3/4"	1	3020 G - 3025 G
	0001 0383	Albero Femmina	Hollow Shaft	Ø 3/4"	1	3515 G - 3522 G

Kit Ricambi

Spare Parts Kit

N°	Cod.	Descrizione	Description	Note	Qty	Model
100	5025 0011	Kit Valvole	Valve Kit		1	
101	5019 0035	Kit Guarnizioni Acqua	Water Seal Kit	Ø15	1	
102	2409 0071	Kit Pistone	Piston Kit	Ø15	1	
103	5019 0040	Kit Guarnizioni Olio	Oil Seal Kit	Male/Solid	1	2015 S - 3020 S
	5019 0041	Kit Guarnizioni Olio	Oil Seal Kit	Femmina/ Hollow	1	2015 E - 2020 E 2020 G - 2520 G 2525 G - 3020 G 3020 E - 3025 G 3515 G - 3522 G 3522 E

BE

POWER EQUIPMENT

If you need technical assistance call:

1-866-850-6662

(8:00am - 4:30pm PST, Mon - Fri)